



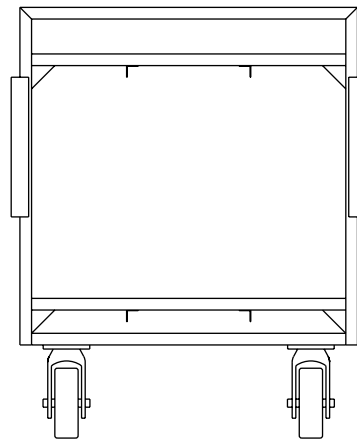
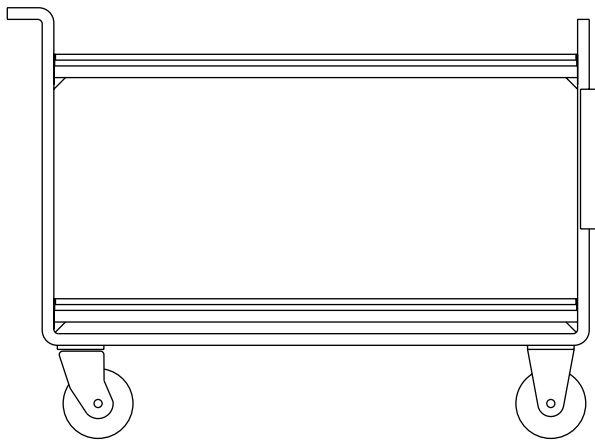
Bohanna & Pearce, Inc.

Material Handling ■ Video Carts ■ Baking Racks ■ Casters ■ Utility Carts ■ Custom Designed Units

Stainless Steel Hospital Cart

Features

- Decks constructed of stainless steel with angle cross braces and rounded corners.
- Loop handles available.
- Heavy duty 8" x 1-1/2" casters. Two rear swivel & two fixed front.
- Heavy gauge expanded metal on transfer trucks.
- Available in steel, aluminum or stainless steel.



Service Cart Models

Model	Size	Wheel	Wt. Capacity	Lower Platform Ht.	Top Platform Ht.	Wt.
210-001	24" x 48"	8"	1500#	12"	33"	137
210-002	27" x 54"	8"	1500#	12"	33"	152
210-003	30" x 60"	8"	1500#	12"	33"	186
210-004	36" x 72"	8"	1500#	12"	33"	198

Options Available

24" Extra Handle	Rubber Bumper Installed
27" Extra Handle	Corner Bumpers
30" Extra Handle	Corner Pipe Stake
36" Extra Handle	Custom Platform Size
8" x 2" Caster	6" x 2" Caster